

FireWall LLC

For Fire Protection

Flanged End Swing Check Valve

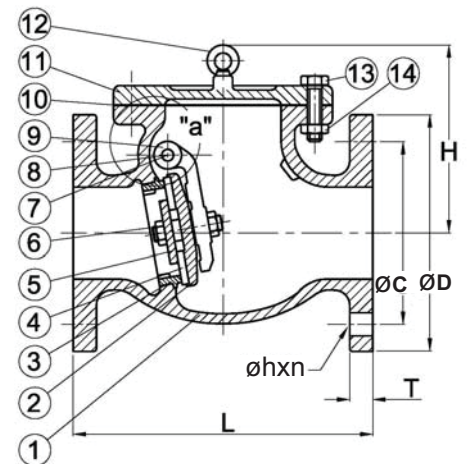
Model: F706U

Technical Features

- Fire Protection Valve.
- Horizontal Swing, Bolted Bonnet, Renewable Seat and Disc.
- **Specifications:** Comply to AWWA C508 Standard.
- **Working pressure:** 200 PSI.
- **Connection:** Flanged ends to ANSI B16.1 Class 125.
- Suitable for horizontal or vertical installation.

Material Specification*

Item	Part	Material	ASTM Spec.
1	Body	Cast Iron	A126-B
2	Disc	Cast Bronze	B62
3	Body Seat Ring	Cast Bronze	B62
4	Disc Ring	EPDM	
5	Disc Washer	Cast Bronze	B62
6	Disc Nut	Brass	B16
7	Hanger Pin	Brass	B16
8	Hanger Plug	Brass	B16
9	Hanger	Cast Bronze	B62
10	Gasket	Non-Asbestos	
11	Cover	Cast Iron	A126-B
12	Eye Bolt	Steel	A307-A
13	Hex.Head Bolt	Steel	A307-A
14	Hexagon Nut	Steel	A307-A



Dimensions

Nominal Size		Dimensions			Unit: mm/inch			Net.Wt.
Metric	Inch	H	L	C	D	T	hxn	Kgs/Lbs
DN80	3"	194/7 ⁵ / ₈	241/9 ¹ / ₂	152/6	190/7 ¹ / ₂	19.1/ 3/4	19.1/3/4x4	20.9/46.1
DN100	4"	214/8 ⁷ / ₁₆	292/11 ¹ / ₂	190/7 ¹ / ₂	229/9	23.8/ 1 ⁵ / ₁₆	19.1/3/4x8	36.8/81.1
DN150	6"	258/10 ⁵ / ₃₂	356/14	241/9 ¹ / ₂	279/11	25.4/1	22.2 ⁷ / ₈ x8	68.2/150.4
DN200	8"	312/12 ⁹ / ₃₂	495/19 ¹ / ₂	298/11 ³ / ₄	343/13 ¹ / ₂	28.6/1 ¹ / ₈	22.2 ⁷ / ₈ x8	115.0/253.6
DN250	10"	352/13 ²⁷ / ₃₂	622/24 ¹ / ₂	362/14 ¹ / ₄	406/16	30.2/1 ³ / ₁₆	25.4/1x12	200.9/443
DN300	12"	389/15 ⁵ / ₁₆	698/27 ¹ / ₂	432/17	483/19	31.8/1 ¹ / ₄	25.4/1x12	290.1/639.5

* Design and Materials are subject to change without notice.

